

# MOVE UNITED WARFIGHTERS

**Adaptive Shooting League  
Pellet Trap Build**



**MOVE  
UNITED  
WARFIGHTERS**



# ADAPTIVE SHOOTING LEAGUE



## Introduction



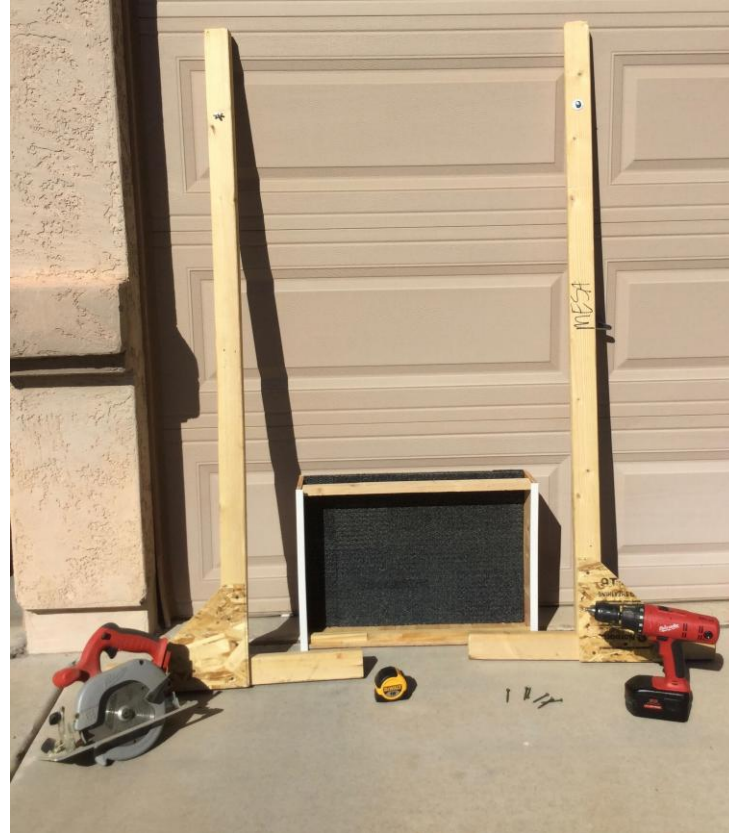
**MOVE  
UNITED  
WARFIGHTERS**

# Pellet Trap



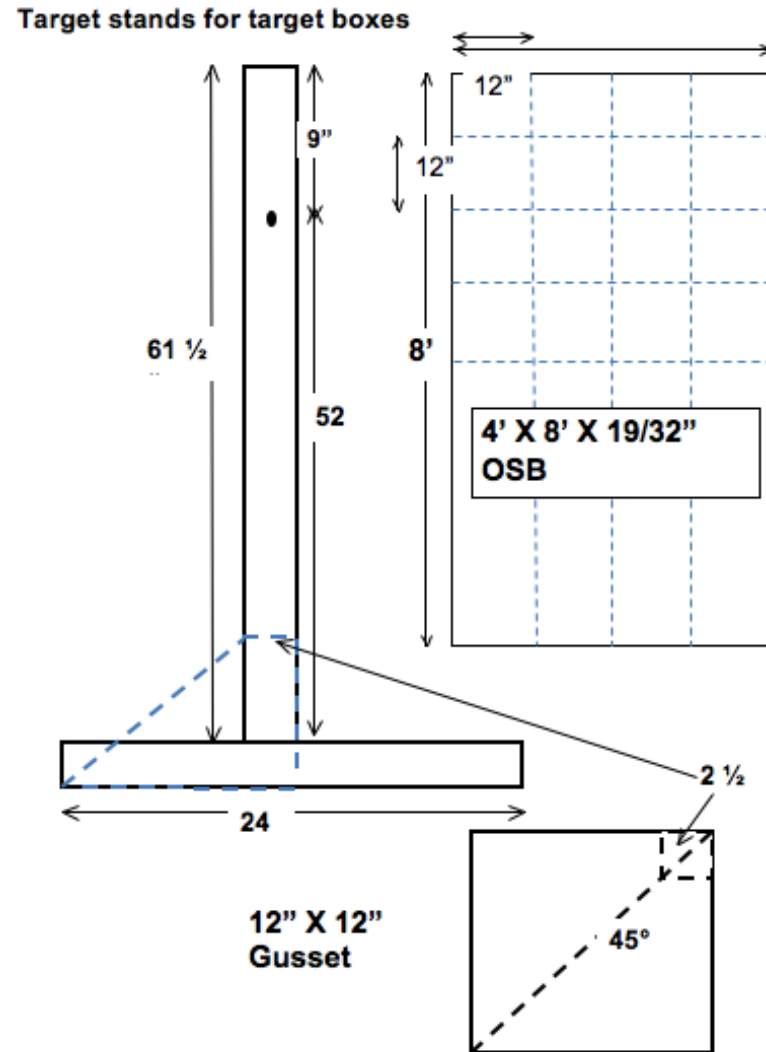
Pellet Trap ready to use

# TITLE



Basic needs for assembly

# TITLE



# Target box front view



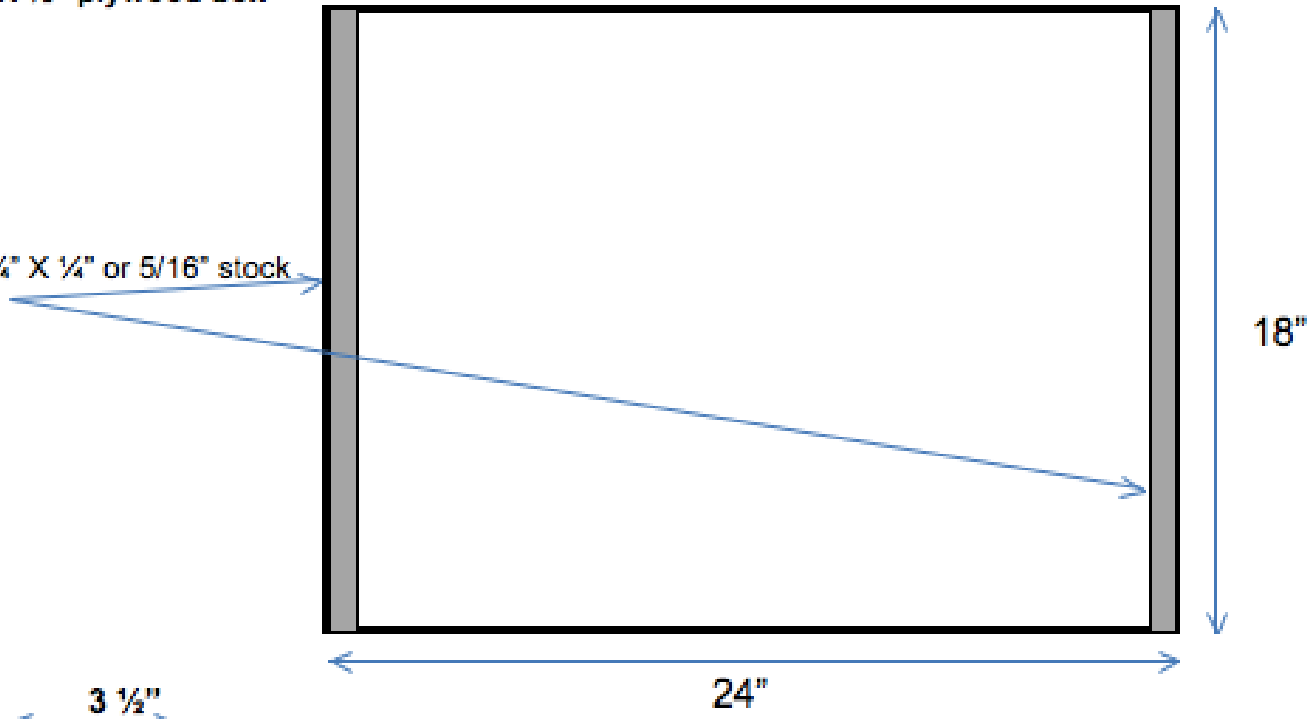
# Target Box Top View

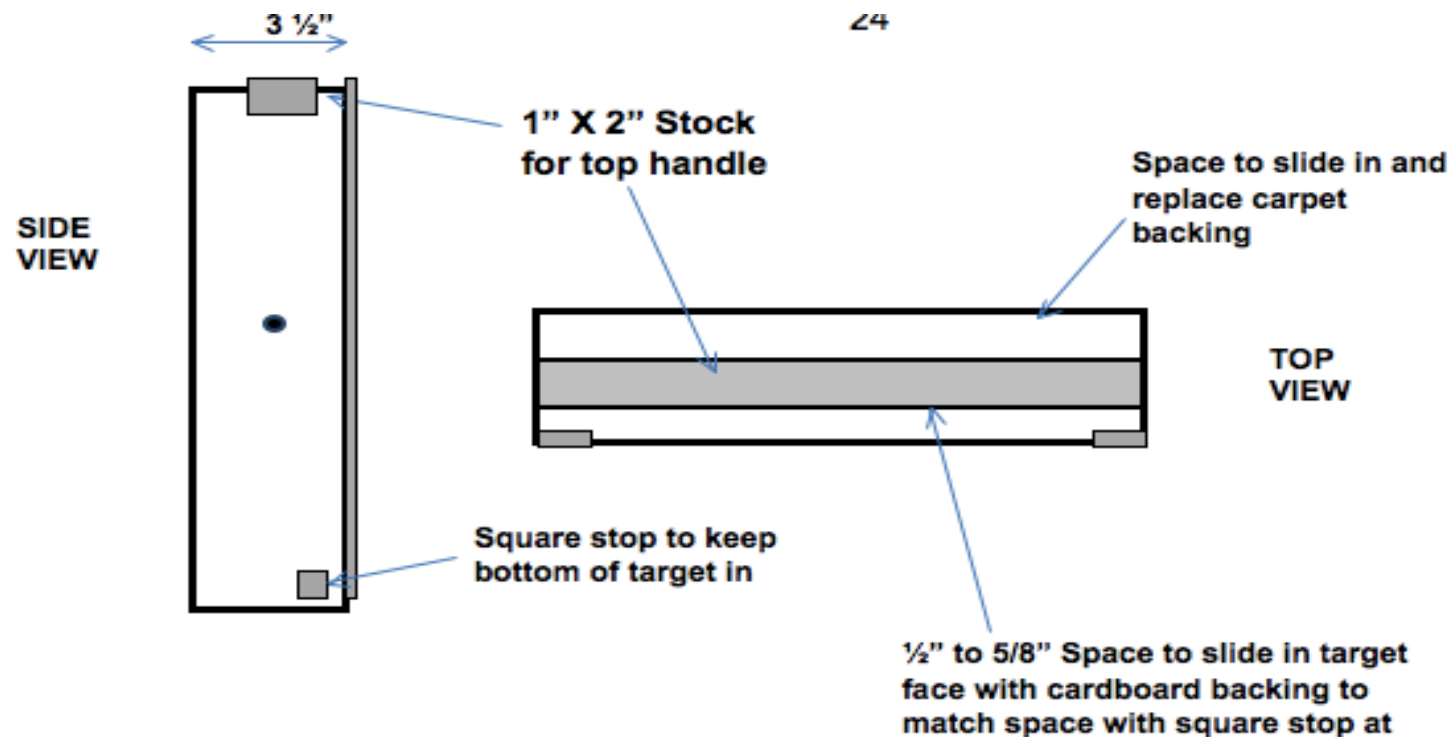


# TITLE

18" X 24" X ½" plywood box

1 ½" or 1 ¼" X ¼" or 5/16" stock





Holes drilled at center of sides of box to match holes in 2" X 3" X 61.5" target stand uprights so center of finished target is at a height of 55". Target stand bases were constructed with upright butted to the base by an OSB gusset attached by course threaded drywall screws.

## LIST OF MATERIALS/TOOLS

- 2- 2"X 3"X 96"- LEGS **HD SKU-845-000**
- 1-12"X12" X 3/8" OSB cut in half @45 - GUSSET/BRACE-LEGS **HD SKU 787-789**
- DRYWALL SCREWS FOR BRACE FOR THE LEGS
- 2-1/4" X 2 -1/2" CARRIAGE BOLTS WITH WING NUTS AND WASHERS - LEGS TO BOX
- 1- 24" X 18" X 1/2" PLYWOOD-BOX BACK **HD SKU 512-977**
- 1-23" X 4" X 1/2" PLYWOOD STRIP -BOX BOTTOM **HD SKU 512-977**
- 2- 18" X 4" X 1/2" PLYWOOD STRIP - BOX SIDES **HD SKU 512-977**
- 2- 3/4" X 1-1/2" X 23" FOR TOP AND BOTTOM OF BOX FOR CARDBOARD SPACERS  
**HD SKU 160-954**
- 2-1/4" X 1" PVC FRONT EDGE OF BOX **HD SKU 922-171**
- CARPET FOR THE BACKING OF BOX
- HAMMER OR BRAD NAILER (small finish nails or brads for nailer if used)
- DRILL with 1/4" bit
- CIRCULAR SAW
- TAPE MEASURE

# Resources

---

BEADAPTIVE – Sip & Puff – [www.beadaptive.com](http://www.beadaptive.com)

QuadShotTriggers – [rsackarc@gmail.com](mailto:rsackarc@gmail.com)

Brookwood Companies - [www.brookwoodcos.com](http://www.brookwoodcos.com)

Product 1000D Military 1000Denier Mil Spec. 100% Nylon

EcoAims System VI Shooting - [www.ecoaims.com](http://www.ecoaims.com) or Call Robert Rosser (307)277-0318

Armorit – SH2 Shooting Stands – [tlcassady@armorit.com](mailto:tlcassady@armorit.com) or call Tommie Cassady (941)360-2101

Gehmann – Offset Sighting System #857 & Eye Magnifiers #530 – [www.gehmann.com/en/](http://www.gehmann.com/en/)

Creedmoore – Commercial air gun range and target box - <https://www.creedmoorsports.com/>

Pyramyd Air - <https://www.pyramydair.com/>

Champion Choice - [www.champchoice.com/store/main.aspx](http://www.champchoice.com/store/main.aspx)

Paralyzed Veterans of America (PVA) - [John Arbino](mailto:JohnArbino) [JohnAr@pva.org](mailto:JohnAr@pva.org)

NRA Disabled Shooting Sports – [www.nraha.org](http://www.nraha.org)

Civilian Marksman Program – Mobil Range Electronic Scoring System Chance Cover  
[ccover@thecamp.org](mailto:ccover@thecamp.org) or (419) 635-2141 Ext. 417

Electronical Scoring System (SIUS) – [www.sius.com/](http://www.sius.com/) Robert McMullin [Remcmul2000@yahoo.com](mailto:Remcmul2000@yahoo.com)

Disabled Shooters Discussion Forum- [www.targettalk.org](http://www.targettalk.org)

# Equipment Grant Opportunities

Challenged Athlete Foundation - <https://www.challengedathletes.org/>

Kelly Brush Foundation - <https://kellybrushfoundation.org/theactivefund/>

National Rifle Association (NRA) - <https://www.nrafoundation.org/grants/>

USA Midway Foundation – <https://www.midwayusafoundation.org/grants/>

Move United / The Hartford's Ability Equipped Program -  
<https://www.moveunitedsport.org/ability-equipped-athlete-equipment-grant-application/>



# Rules and Classification Information

---

Paralympic Shooting Rules

<http://www.paralympic.org/shooting/rules>

Paralympic Shooting Sports Classifications

<https://www.paralympic.org/shooting/classification>

Move United Shooting Rules

# Move United

## Technical Committee Representatives

---

- USA Paralympic Shooting Coach / Manager, Coach Development
- Sports Committee Chair – Mark Grant [03msgrant@gmail.com](mailto:03msgrant@gmail.com)
- West Rep. - Tim Baumgarten [Tbaumgarten@outlook.com](mailto:Tbaumgarten@outlook.com)
- Southeast Rep. – Roger Sack [Airgunsnvwg@gmail.com](mailto:Airgunsnvwg@gmail.com)
- Central Rep.– Thomas Monto [t8monto@aol.com](mailto:t8monto@aol.com)
- East Rep. – Lt. Col. Todd Benson [trwg4@live.com](mailto:trwg4@live.com)

National Representative Jessica Cloy [jcloy@moveunitedsport.org](mailto:jcloy@moveunitedsport.org)

A visual of the region breakdown can be found here. For National Rifle Association (NRA) Certification Opportunities, Please click here:  
<http://www.nrainstructors.org/Search.aspx>